

TECHNICAL DATA SHEET



FLOOR MOUNTING LEGS

PRODUCT RANGE

Designer radiator

PRODUCT TYPE

Lilly

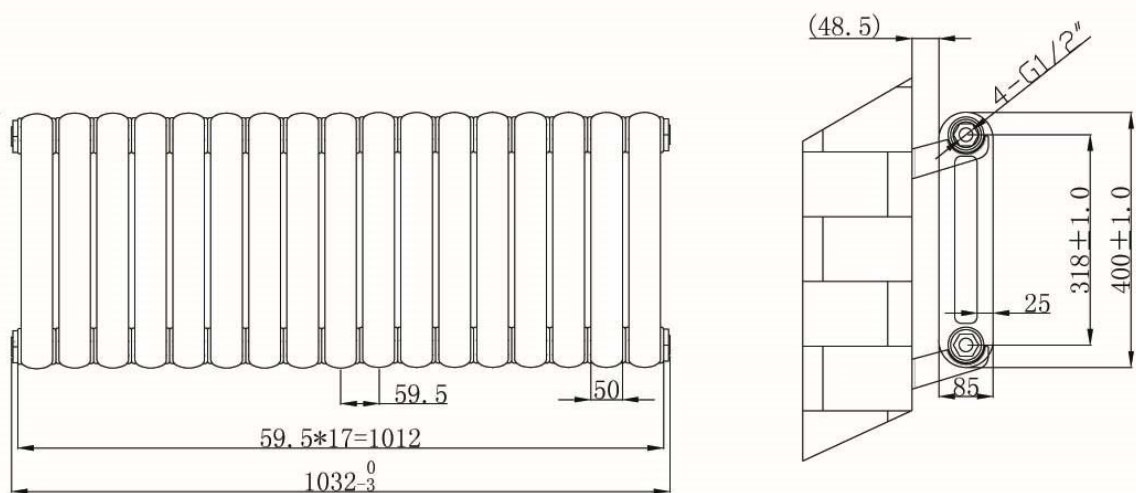
PRODUCT CODE

RA030 / RA140

FINISH

Anthracite or White

TECHNICAL LINE DRAWING AND SIZES



ADDITIONAL INFORMATION

Code	Name	Size (H * W)	Overall Depth	Overall Depth when mounted	Tapping/Pipe Inlet Centres	Weight	BTU Output Deltar50	Watts Output Delta r50	BTU Output Delta r60	Watts Output Delta r60	Litre Capacity	Packaged Dimensions H*W*D			Packaged Weight
RA030	Lilly Anthracite	400*1032	85	133.5	1032	21.04	2592	760	3276	960	10.98	113	13.5	45	23.54

Code	Name	Size (H * W)	Overall Depth	Overall Depth when mounted	Tapping/Pipe Inlet Centres	Weight	BTU Output Deltar50	Watts Output Delta r50	BTU Output Delta r60	Watts Output Delta r60	Litre Capacity	Packaged Dimensions H*W*D			Packaged Weight
RA140	Lilly white	400*1032	85	133.5	1032	21.04	2592	760	3276	960	10.98	113	13.5	45	23.54

GUARANTEE AND AFTERCARE

During installation extra care must be taken to avoid damaging the fittings. We provide a 10 year guarantee against faulty manufacture or materials (excluding serviceable parts), providing they have been installed, cared for and used in accordance with our instructions and good plumbing practice.

TECHNICAL DATA SHEET



PRODUCT RANGE

Designer radiator

PRODUCT TYPE

Lilly

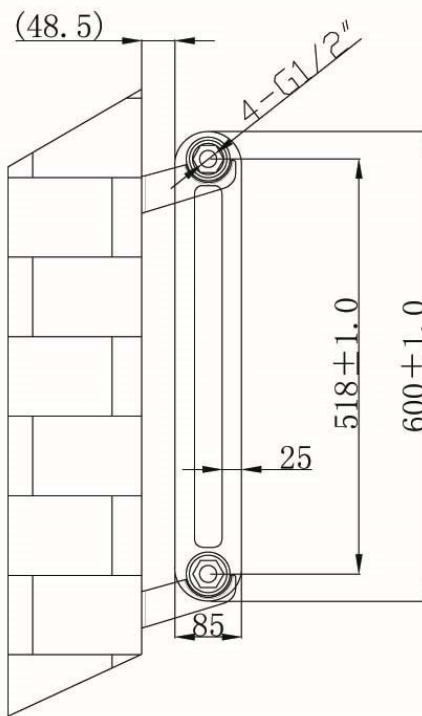
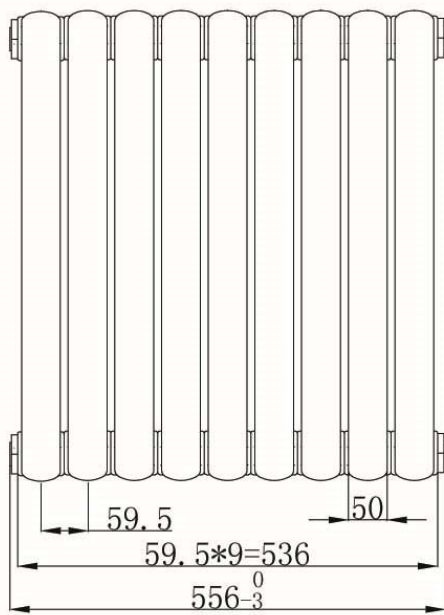
PRODUCT CODE

RA031 / RA141

FINISH

Anthracite or White

TECHNICAL LINE DRAWING AND SIZES



ADDITIONAL INFORMATION

Code	Name	Size (H * W)	Overall Depth	Overall Depth when mounted	Tapping/Pipe Inlet Centres	Weight	BTU Output Deltar50	Watts Output Delta r50	BTU Output Delta r60	Watts Output Delta r60	Litre Capacity	Packaged Dimensions H*W*D			Packaged Weight
RA031	Lilly Anthracite	600*556	85	133.5	556	16.00	2354	690	2976	872	8.72	70	13.5	65	18.5
RA141	Lilly white	600*556	85	133.5	556	16.00	2354	690	2976	872	8.72	70	13.5	65	18.5

GUARANTEE AND AFTERCARE

During installation extra care must be taken to avoid damaging the fittings. We provide a 10 year guarantee against faulty manufacture or materials (excluding serviceable parts), providing they have been installed, cared for and used in accordance with our instructions and good plumbing practice.

TECHNICAL DATA SHEET



FLOOR MOUNTING LEGS

PRODUCT RANGE

Designer radiator

PRODUCT TYPE

Lilly

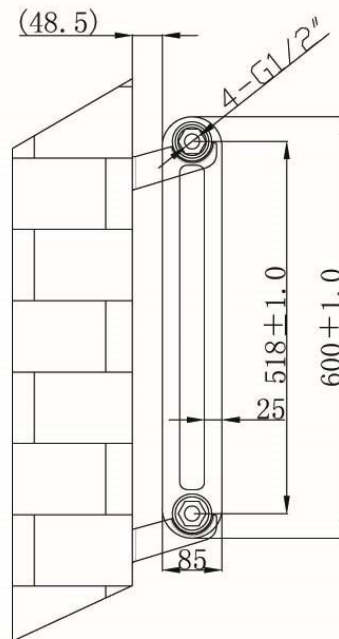
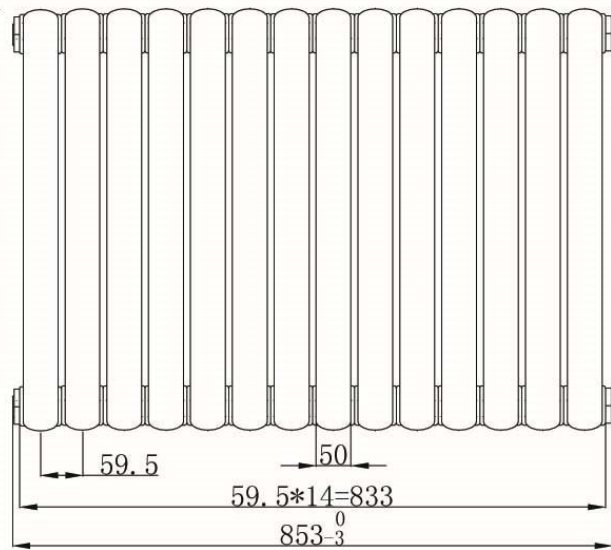
PRODUCT CODE

RA032 / RA142

FINISH

Anthracite or White

TECHNICAL LINE DRAWING AND SIZES



ADDITIONAL INFORMATION

Code	Name	Size (H * W)	Overall Depth	Overall Depth when mounted	Tapping/Pipe Inlet Centres	Weight	BTU Output Deltar50	Watts Output Delta r50	BTU Output Delta r60	Watts Output Delta r60	Litre Capacity	Packaged Dimensions H*W*D			Packaged Weight
RA032	Lilly Anthracite	600*853	85	133.5	853	24.88	3662	1073	4629	1357	13.56	95.5	13.5	65	27.38
RA142	Lilly white	600*853	85	133.5	853	24.88	3662	1073	4629	1357	13.56	95.5	13.5	65	27.38

GUARANTEE AND AFTERCARE

During installation extra care must be taken to avoid damaging the fittings. We provide a 10 year guarantee against faulty manufacture or materials (excluding serviceable parts), providing they have been installed, cared for and used in accordance with our instructions and good plumbing practice.

TECHNICAL DATA SHEET



FLOOR MOUNTING LEGS

PRODUCT RANGE

Designer radiator

PRODUCT TYPE

Lilly

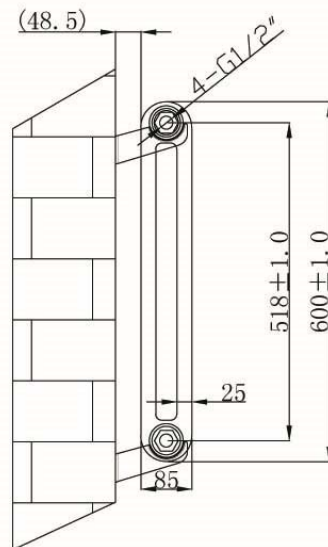
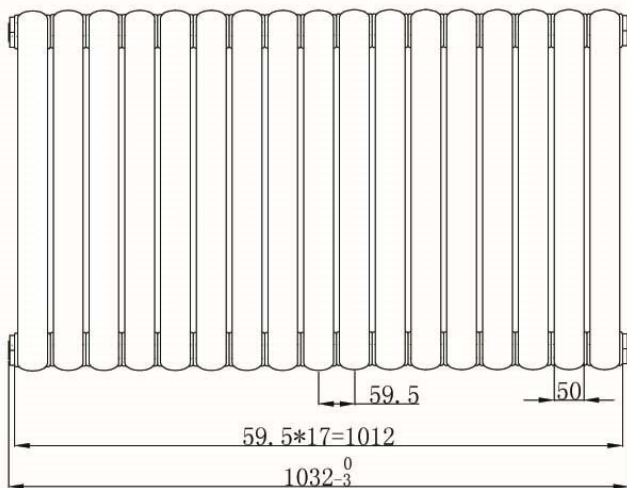
PRODUCT CODE

RA033 / RA143

FINISH

Anthracite or White

TECHNICAL LINE DRAWING AND SIZES



ADDITIONAL INFORMATION

Code	Name	Size (H * W)	Overall Depth	Overall Depth when mounted	Tapping/Pipe Inlet Centres	Weight	BTU Output Deltar50	Watts Output Delta r50	BTU Output Delta r60	Watts Output Delta r60	Litre Capacity	Packaged Dimensions H*W*D			Packaged Weight
RA033	Lilly Anthracite	600*1032	85	133.5	1032	30.22	4447	1303	5621	1647	16.47	113	13.5	65	33.22
RA143	Lilly white	600*1032	85	133.5	1032	30.22	4447	1303	5621	1647	16.47	113	13.5	65	33.22

GUARANTEE AND AFTERCARE

During installation extra care must be taken to avoid damaging the fittings. We provide a 10 year guarantee against faulty manufacture or materials (excluding serviceable parts), providing they have been installed, cared for and used in accordance with our instructions and good plumbing practice.

TECHNICAL DATA SHEET



PRODUCT RANGE

Designer radiator

PRODUCT TYPE

Lilly

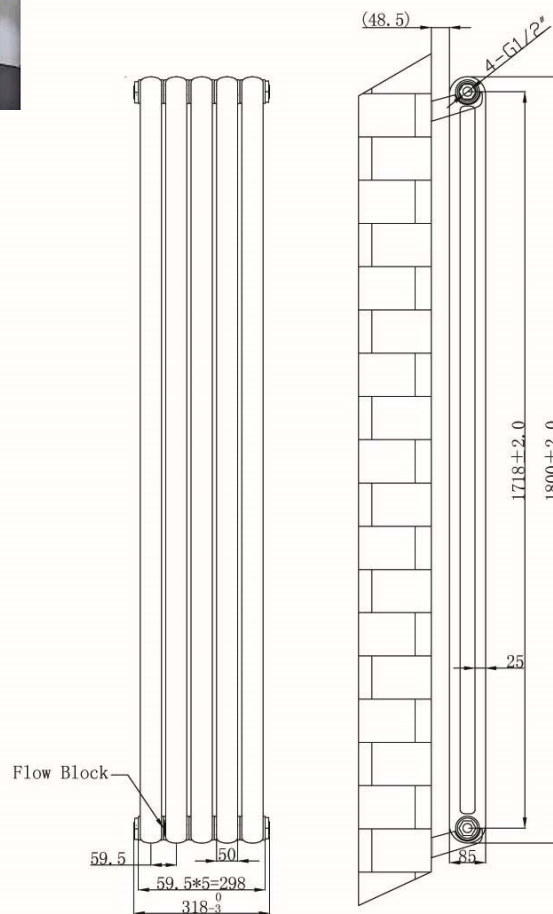
PRODUCT CODE

RA034 / RA144

FINISH

Anthracite or White

TECHNICAL LINE DRAWING AND SIZES



ADDITIONAL INFORMATION

Code	Name	Size (H * W)	Overall Depth	Overall Depth when mounted	Tapping/Pipe Inlet Centres	Weight	BTU Output Deltar50	Watts Output Delta r50	BTU Output Delta r60	Watts Output Delta r60	Litre Capacity	Packaged Dimensions H*W*D	Packaged Weight
RA034	Lilly Anthracite	1800*318	85	133.5	318	25.09	3497	1025	4420	1296	14.53	190 13.5 37	27.59
RA144	Lilly white	1800*318	85	133.5	318	25.09	3497	1025	4420	1296	14.53	190 13.5 37	27.59

GUARANTEE AND AFTERCARE

During installation extra care must be taken to avoid damaging the fittings. We provide a 10 year guarantee against faulty manufacture or materials (excluding serviceable parts), providing they have been installed, cared for and used in accordance with our instructions and good plumbing practice.

TECHNICAL DATA SHEET



PRODUCT RANGE

Designer radiator

PRODUCT TYPE

Lilly

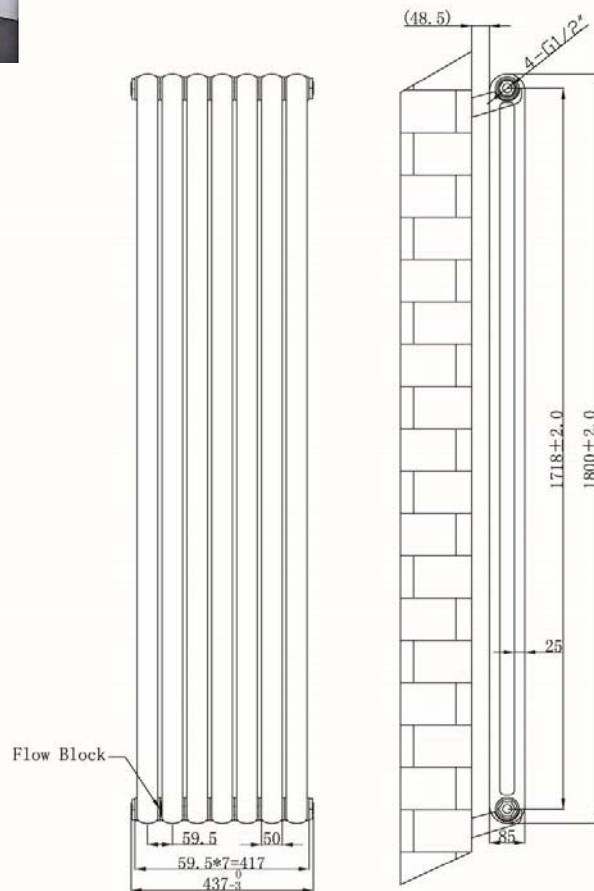
PRODUCT CODE

RA035 / RA145

FINISH

Anthracite or White

TECHNICAL LINE DRAWING AND SIZES



ADDITIONAL INFORMATION

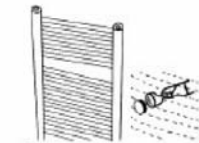
Code	Name	Size (H * W)	Overall Depth	Overall Depth when mounted	Tapping/Pipe Inlet Centres	Weight	BTU Output Delta r50	Watts Output Delta r50	BTU Output Delta r60	Watts Output Delta r60	Litre Capacity	Packaged Dimensions H*W*D	Packaged Weight
RA035	Lilly Anthracite	1800*437	85	133.5	437	35.12	4898	1436	6191	1815	20.34	190 13.5 49	38.12
RA145	Lilly white	1800*437	85	133.5	437	35.12	4898	1436	6191	1815	20.34	190 13.5 49	38.12

GUARANTEE AND AFTERCARE

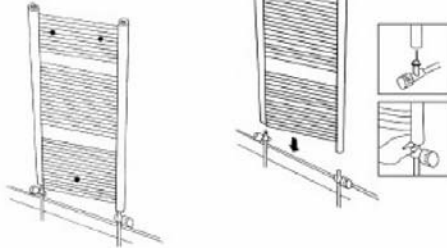
During installation extra care must be taken to avoid damaging the fittings. We provide a 10 year guarantee against faulty manufacture or materials (excluding serviceable parts), providing they have been installed, cared for and used in accordance with our instructions and good plumbing practice.

INSTALLATION GUIDE

- 6 Push the rail flat against the wall, adjust to required depth and tighten the small screws to secure. Push the end caps I over each of the bracket heads until they click into position.



- 9 Connect the radiator valve tail to the radiator valve and tighten securely. Apply PTFE tape.



Important

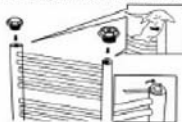
- Ensure that your central heating system is thoroughly flushed before use to rinse out any foreign residues.
- Wipe the surface clean with a soft, damp cloth. Never use abrasive cleaners on this product as they will damage the surface.
- It is recommended that a suitable inhibitor be added to the central heating system to help prevent internal corrosion and limescale build-up.

Prior to Installation

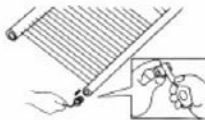
- Check that all of the parts are enclosed as per the contents list.
- If there are any missing or damaged parts please contact your supplier immediately.
- The four plastic caps on each corner of the ladder rail should be removed and disposed of.
- Ensure that the ladder rail is positioned so that it can be easily connected to the central heating system.

Assembly

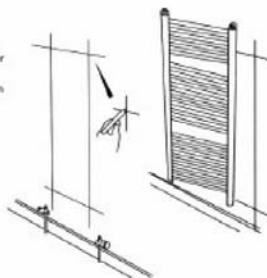
- 1 Select your desired installation position and ensure that the wall is sufficiently strong enough to hold the weight of the ladder rail. Brick or breezeblock walls are ideal. If positioning on plaster-board wall it MUST be fixed to timber batons.



- 2 Screw the blanking plug B and air vent plug C into the top two threads in the upright channels of the ladder rail A. They can be fitted on either side. Using a cloth to prevent scratching, tighten them with a spanner. Apply PTFE tape.



- 3 Thread the tails from the radiator valves (not supplied) into the bottom two threads. Apply PTFE tape.



- 4 The wall supports should be fitted at approximately 10mm from the inside edge of the ladder rail-2 near the top of the ladder rail and 2 near the bottom. The mounting height can be varied between any of the ladder rail bars to allow for finding the best fixing point on the wall. Mark the fixing points with a pencil.

Assembly Instructions for Ladder Rail

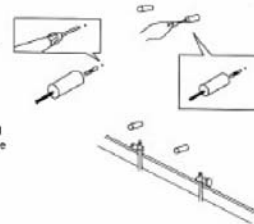
Contents List

Ref	Description	Quantity
A	Ladder Rail	1
B	Blanking Plug	1
C	Air Vent Plug	1
D	Wall Support	4
E	Masonry Wall Plug	4
F	Long Screw	4
G	Small Screw	4
H	Spacer	4
I	End Cap	4
J	Cross Bolt	4
K	Bracket Bush	8
L	Rubber Ring	4

Tools Required (not supplied)

Ref	Description
	PTFE Tape
	Large Flat Screwdriver
	6mm Masonry Bit or 3mm Wood Bit
	Socket Set
	Spanner
	Clean Cloth

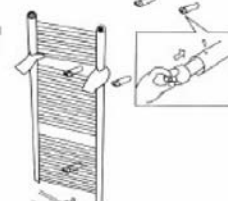
- 5 Mounting to Brick or Breezeblock
At the required fixing positions drill hole using 6mm masonry bit and insert the wall plug E into the hole ensuring it's flush with the wall. Place long screw F through the centre of the wall support D and tighten into the wall plug.



Mounting to Wood

- Place long screw F through the centre of the wall support D and screw into the wooden baton at the required fixing positions.

- 6 Place the spacer H inside the wall support and insert the small screw G into the hole in the wall support. Don't over-tighten to allow for adjustment later.



- 7 Offer the ladder rail A up to the fixing brackets and place bolt J through the bracket bush K.



- Place the bolt between the selected ladder rail bars and thread into the wall support ensuring the square face of the bracket bush is aligned with the ladder rail.

