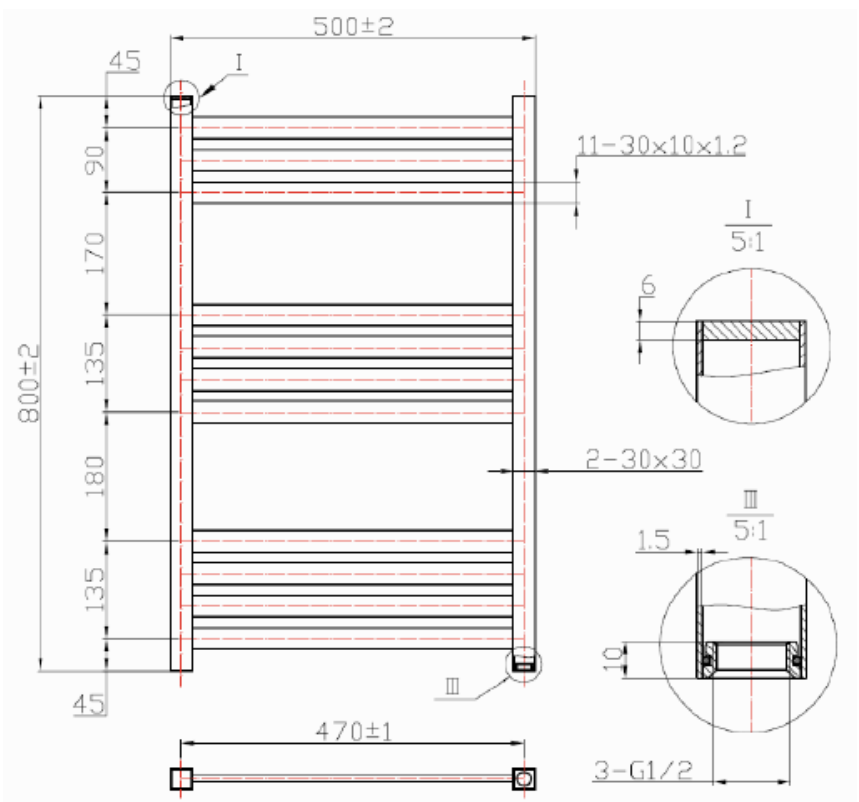


## TECHNICAL DATA SHEET



<b>PRODUCT RANGE</b>	Designer radiator
<b>PRODUCT TYPE</b>	Davina
<b>PRODUCT CODE</b>	RA051 / EA051
<b>FINISH</b>	Chrome

## TECHNICAL LINE DRAWING AND SIZES



## ADDITIONAL INFORMATION

Code	Name	Size (H * W)	Overall Depth	Overall Depth when mounted	Tapping/Pipe Inlet Centres	Weight	BTU Output Deltar50	Watts Output Delta r50	BTU Output Delta r60	Watts Output Delta r60	Litre Capacity	Packaged Dimensions H*W*D	Packaged Weight
RA051	Davina	800 * 500	30	80-95	470	6.2	725	212	916	268	2.20		

## GUARANTEE AND AFTERCARE

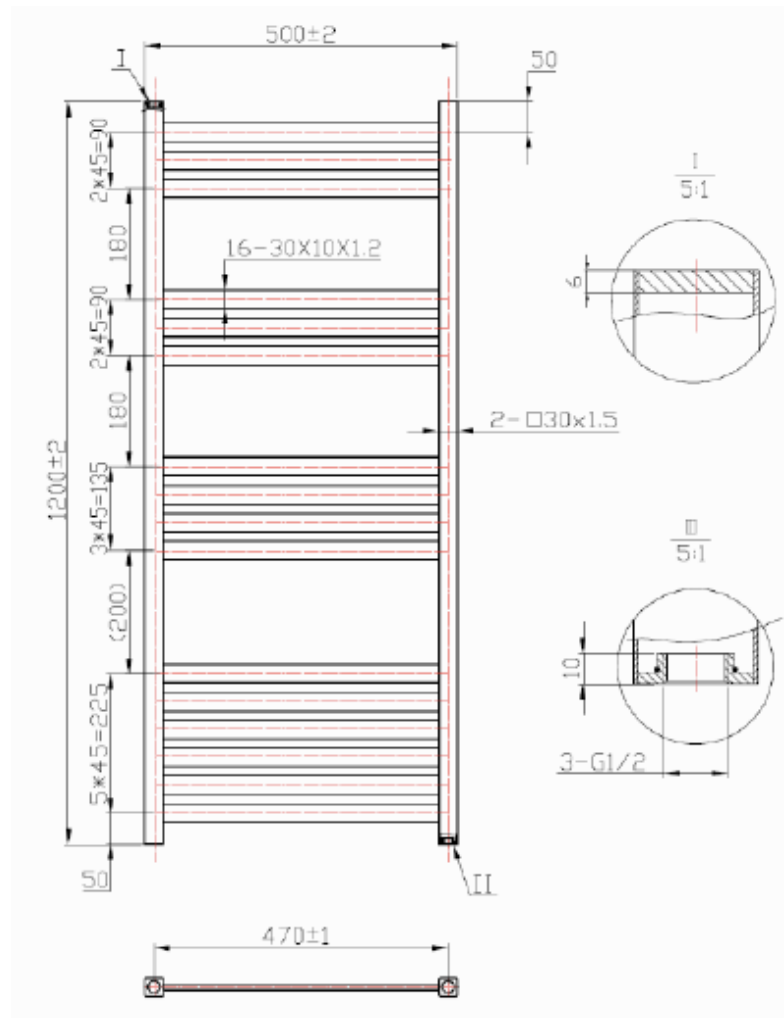
During installation extra care must be taken to avoid damaging the fittings. We provide a 10 year guarantee against faulty manufacture or materials (excluding serviceable parts), providing they have been installed, cared for and used in accordance with our instructions and good plumbing practice.

## TECHNICAL DATA SHEET



<b>PRODUCT RANGE</b>	Designer radiator
<b>PRODUCT TYPE</b>	Davina
<b>PRODUCT CODE</b>	RA052 / EA052
<b>FINISH</b>	Chrome

## TECHNICAL LINE DRAWING AND SIZES



## ADDITIONAL INFORMATION

Code	Name	Size (H * W)	Overall Depth	Overall Depth when mounted	Tapping/Pipe Inlet Centres	Weight	BTU Output Delta r50	Watts Output Delta r50	BTU Output Delta r60	Watts Output Delta r60	Litre Capacity	Packaged Dimensions H*W*D	Packaged Weight
RA052	Davina	1200 * 500	30	80-95	470	9	1066	312	1347	395	3.20		

## GUARANTEE AND AFTERCARE

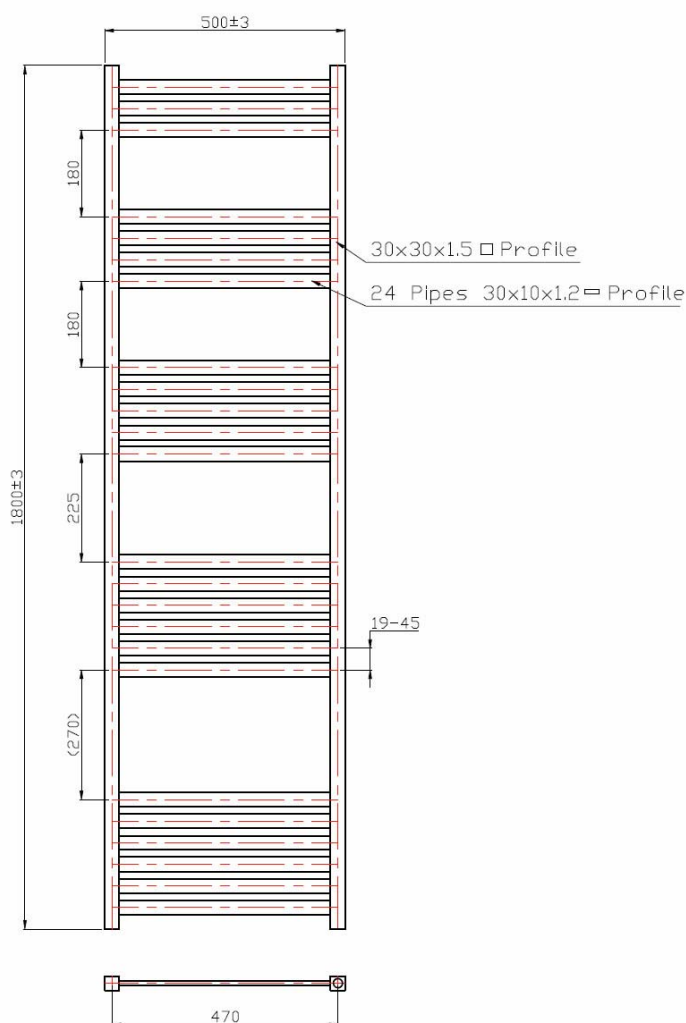
During installation extra care must be taken to avoid damaging the fittings. We provide a 10 year guarantee against faulty manufacture or materials (excluding serviceable parts), providing they have been installed, cared for and used in accordance with our instructions and good plumbing practice.

## TECHNICAL DATA SHEET



<b>PRODUCT RANGE</b>	Designer radiator
<b>PRODUCT TYPE</b>	Davina
<b>PRODUCT CODE</b>	RA005 / EA005
<b>FINISH</b>	Chrome

## TECHNICAL LINE DRAWING AND SIZES



## ADDITIONAL INFORMATION

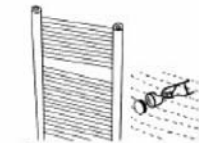
Code	Name	Size (H * W)	Overall Depth	Overall Depth when mounted	Tapping/Pipe Inlet Centres	Weight	BTU Output Deltar50	Watts Output Delta r50	BTU Output Delta r60	Watts Output Delta r60	Litre Capacity	Packaged Dimensions H*W*D	Packaged Weight
RA005	Davina	1800 * 500	30	85-100	470	14.6	1605	470	2029	595	5.00		

## GUARANTEE AND AFTERCARE

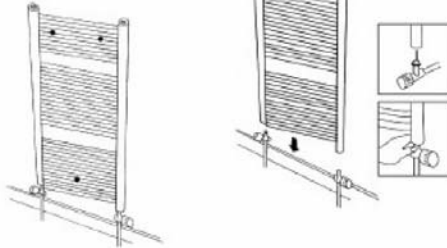
During installation extra care must be taken to avoid damaging the fittings. We provide a 10 year guarantee against faulty manufacture or materials (excluding serviceable parts), providing they have been installed, cared for and used in accordance with our instructions and good plumbing practice.

## INSTALLATION GUIDE

- 6 Push the rail flat against the wall, adjust to required depth and tighten the small screws to secure. Push the end caps I over each of the bracket heads until they click into position.



- 9 Connect the radiator valve tail to the radiator valve and tighten securely. Apply PTFE tape.



### Important

- Ensure that your central heating system is thoroughly flushed before use to rinse out any foreign residues.
- Wipe the surface clean with a soft, damp cloth. Never use abrasive cleaners on this product as they will damage the surface.
- It is recommended that a suitable inhibitor be added to the central heating system to help prevent internal corrosion and limescale build-up.

### Assembly Instructions for Ladder Rail

#### Contents List

Ref	Description	Quantity
A	Ladder Rail	1
B	Blanking Plug	1
C	Air Vent Plug	1
D	Wall Support	4
E	Masonry Wall Plug	4
F	Long Screw	4
G	Small Screw	4
H	Spacer	4
I	End Cap	4
J	Cross Bolt	4
K	Bracket Bush	8
L	Rubber Ring	4

#### Tools Required (not supplied)

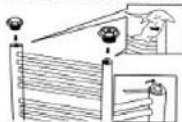
Image	Description
	PTFE Tape
	Large Flat Screwdriver
	6mm Masonry Bit or 3mm Wood Bit
	Socket Set
	Spanner
	Clean Cloth

### Prior to Installation

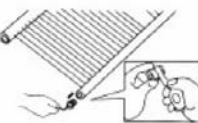
- Check that all of the parts are enclosed as per the contents list.
- If there are any missing or damaged parts please contact your supplier immediately.
- The four plastic caps on each corner of the ladder rail should be removed and disposed of.
- Ensure that the ladder rail is positioned so that it can be easily connected to the central heating system.

### Assembly

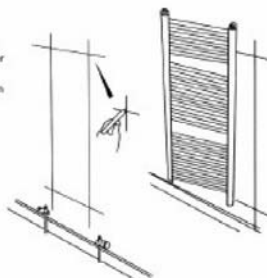
- 1 Select your desired installation position and ensure that the wall is sufficiently strong enough to hold the weight of the ladder rail. Brick or breezeblock walls are ideal. If positioning on plaster-board wall it MUST be fixed to timber batons.



- 2 Screw the blanking plug B and air vent plug C into the top two threads in the upright channels of the ladder rail A. They can be fitted on either side. Using a cloth to prevent scratching, tighten them with a spanner. Apply PTFE tape.

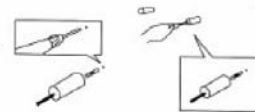


- 3 Thread the tails from the radiator valves (not supplied) into the bottom two threads. Apply PTFE tape.



- 4 The wall supports should be fitted at approximately 10mm from the inside edge of the ladder rail-2 near the top of the ladder rail and 2 near the bottom. The mounting height can be varied between any of the ladder rail bars to allow for finding the best fixing point on the wall. Mark the fixing points with a pencil.

- 5 **Mounting to Brick or Breezeblock**  
At the required fixing positions drill hole using 6mm masonry bit and insert the wall plug E into the hole ensuring it's flush with the wall. Place long screw F through the centre of the wall support D and tighten into the wall plug.



- Mounting to Wood**  
Place long screw F through the centre of the wall support D and screw into the wooden baton at the required fixing positions.

- 6 Place the spacer H inside the wall support and insert the small screw G into the hole in the wall support. Don't over-tighten to allow for adjustment later.



- 7 Offer the ladder rail A up to the fixing brackets and place bolt J through the bracket bush K.



- Place the bolt between the selected ladder rail bars and thread into the wall support ensuring the square face of the bracket bush is aligned with the ladder rail.

