

UK: 7065 / 7066 / 7070 / 7071
AU: SER4 / SER6 / SES4 / SES6

Thermorail Single Ended

12V Heated Towel Rail

Installation Guide

thermorail
HEATED TOWEL RAIL

Contents

What's in the box?	3
Before you start	4
Installing Thermorail	5
Wiring diagram	7
Installation diagram	12
Technical data	13
Contact information	16

What's in the box?

Check you've got everything:

- Thermorail Single Ended 12V
- Dress ring
- Thermorail connection wire (2m)
- Mounting spigot and 2 fixing screws
- Allen key and 2 grub screws
- Loctite adhesive

You will also need:

- Cross head screwdriver
- Spirit level
- Cordless drill
- Pencil
- 12V transformer
- Electrical supply

Thermorail Single Ended 12V should be:

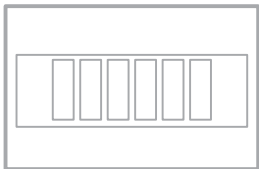
- Installed on an RCD protected circuit
- Connected to a suitably rated 12V transformer
- Installed by a qualified professional electrician, in line with current electrical regulations and local standards. (For the UK: IEE 17th Edition Part P)
- This product is designed to hold towels and should not be subjected to weight or pressure in excess of 5kg
- Connected in parallel if installing multiple rails

Installing Thermorail

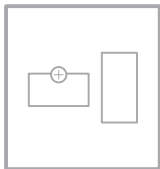
1. Switch off mains power



You will be installing Thermorail as part of a high voltage mains electrical circuit. To ensure your safety and to protect the Thermorail, switch off the mains power before you start the installation.



Fuse Box



Fused Switch

2. Choose a location

Decide where the rail is to be fixed to the wall and drill into the wall taking care to avoid any existing pipe work or electric cables.

The 2m connection cable can then be fed through a conduit in the wall cavity or chased into a channel cut into a solid wall.

Then connect the cable to the transformer and electric circuit, above the ceiling or in the wall cavity behind a thermostat, timer or access plate.

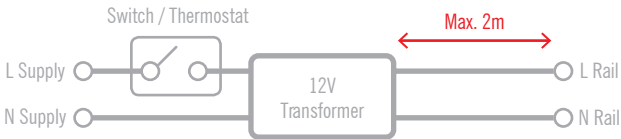
Installing Thermorail

3. Electrical connections

Ensure the electricity is switched off.

Connect the 12V transformer and towel rail to the electrical supply as shown in the diagram. Multiple rails should be wired in parallel.

4. Wiring diagram



5. Fix to the wall

Pull the electrical connector through the centre of the mounting spigot and use a pencil to mark the wall ready to drill the fixing holes for the mount.

Carefully drill fixing holes, insert suitable wall pugs and fix the spigot in place with the screws provided.

Installing multiple rails?

Use the Thermorail mounting system (7060 SRMS) and consult the relevant installation guide.

6. Tile the wall

At this stage the wall should be tiled. The mounting spigot is designed to be encapsulated within the tile adhesive layer.

Cut the tile or use a 24mm tile drill bit to make a hole for the mounting spigot.

A full bed of tile adhesive should be used to cover the mounting spigot and fixing screws.

7. Connection clips

When the tile adhesive is set and the tiles have been grouted, the towel rail can be fixed in position.

The optional dress ring should be installed and then the electrical clips can be connected by any competent individual. Any excess cable should be fed into the wall cavity.

Make sure the clips are connected securely before you proceed.

8. Fix Thermorail in position

Loosen the grub screw on the towel rail and apply the provided adhesive to the mounting spigot.

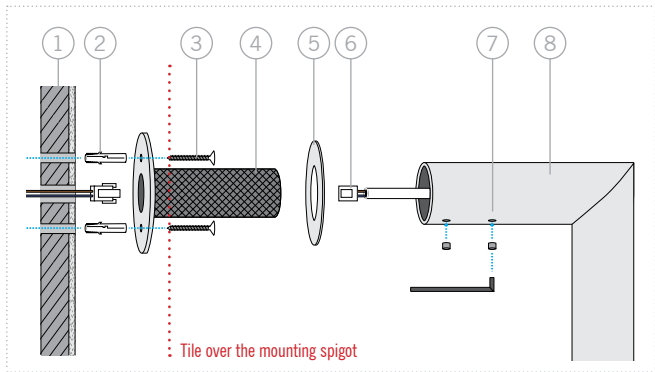
Fit the towel rail over the spigot and use a spirit level to check the rail is straight.

Fix in position by tightening the grub screw with the allen key provided.



The locktite adhesive will be permanently set after 2 hours. Make sure you have the rail installed in the final position before applying adhesive.

Installation diagram



Technical information

7065 SER4	L400 x H32 x D100	17W
-----------	-------------------	-----

7066 SER6	L600 x H32 x D100	18W
-----------	-------------------	-----

7070 SES4	L400 x H32 x D100	17W
-----------	-------------------	-----

7071 SES6	L600 x H32 x D100	18W
-----------	-------------------	-----

Supply voltage	230V 50/60Hz
----------------	--------------

Transformer voltage	12V
---------------------	-----

Warranty	5 years
----------	---------

A series of 11 horizontal dotted lines intended for taking notes.

Notes

.....

.....

.....

.....

.....

.....

.....

.....

.....

.....

.....

.....

.....

.....

.....

.....

.....

.....

.....

.....

.....

.....

International contact details

UK & Europe

Thermogroup Ltd

0800 019 5899

01622 689 440

www.thermogroupuk.com

Australia

Thermogroup Pty Ltd

1300 368 631

02 6953 4225

www.thermogroup.com.au

Thermogroupuk



SUSTAINABLE HEATING SOLUTIONS

Thermogroupau



GOOD HEATING PRODUCTS